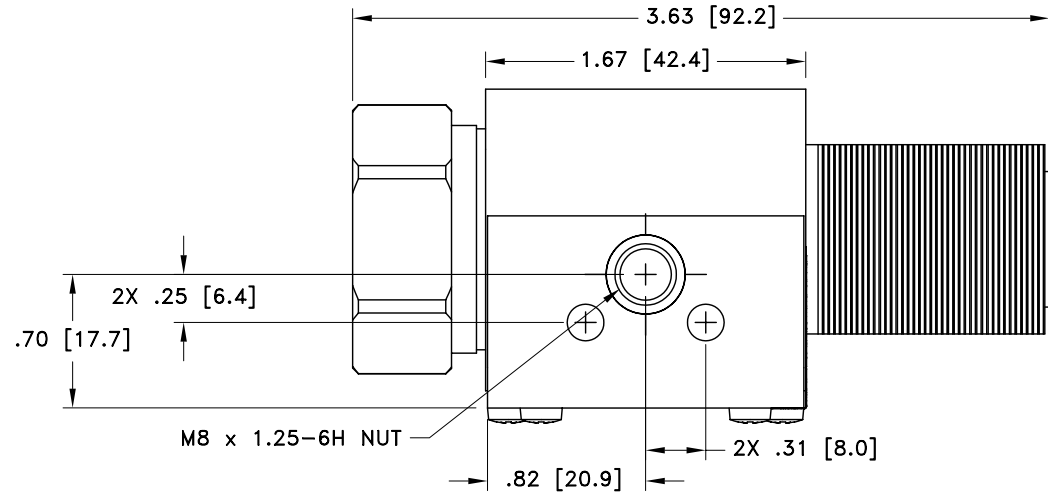


ALL DESIGN, OPERATIVE AND PROCESS DATA PERTAINING TO THE ARTICLE SHOWN ON THIS SHEET IS THE PROPERTY OF POLYPHASER CORPORATION. THE INFORMATION IS NOT TO BE COPIED, REPRODUCED, REVEALED TO OR APPROPRIATED BY OTHERS WITHOUT THE EXPRESS WRITTEN CONSENT OF POLYPHASER CORPORATION.

REVISIONS				
REV LTR	DATE	ENG	MKTG	Q.A.



MAXIMUM CHARACTERISTICS

APPLICATION:
WEATHERIZED, FLANGE OR BULKHEAD MOUNT

FREQUENCY RANGE:
RF
800-960 MHz
1700-2500 MHz

RETURN LOSS:
> -26dB

INSERTION LOSS:
<0.1dB @ 800MHz TO 960MHz
<0.1dB @ 1700MHz TO 2200MHz
<0.15dB @ 2200MHz TO 2500MHz

TELEMETRY
2.176 MHz

RETURN LOSS:
> -20dB

INSERTION LOSS:
≤ .15dB

POWER:
750W RMS AVERAGE

TURN ON:
+35Vdc

TURN ON TIME:
4ns FOR 2kV/ns

MAX. SURGE:
20kA IEC 61000-4-5 8/20μs WAVEFORM

THROUGHPUT ENERGY:
≤2mJ FOR 3kA, 8/20μs WAVEFORM

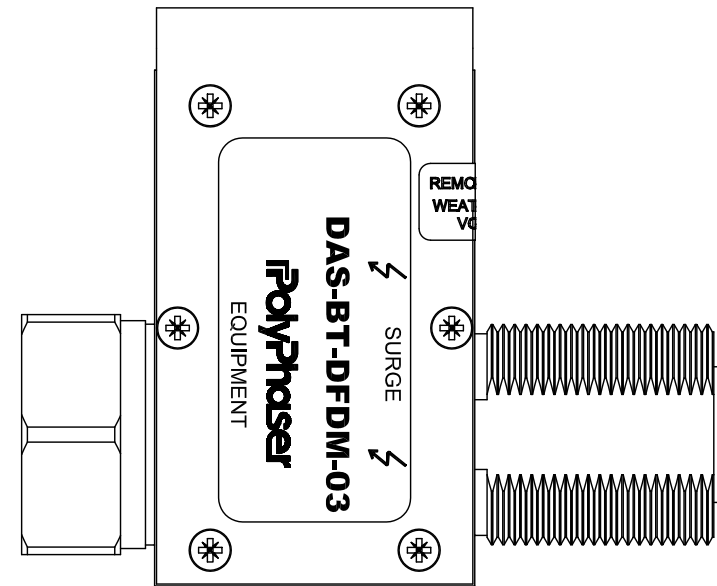
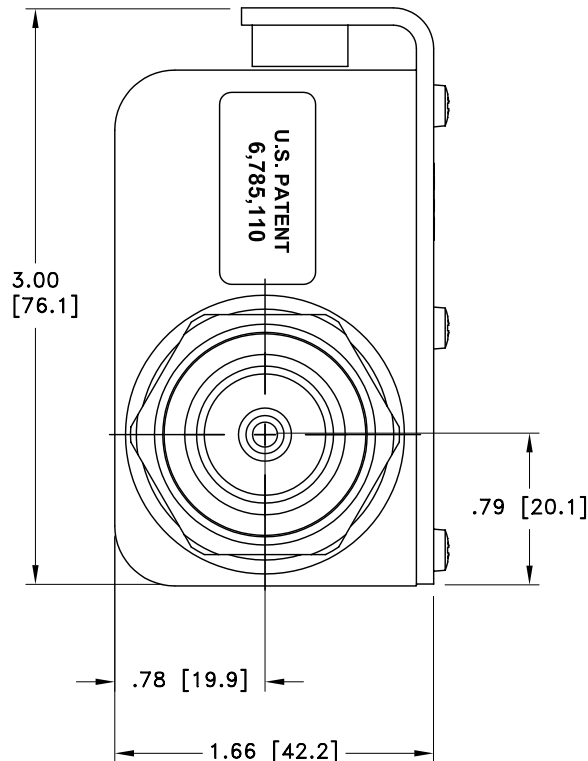
USER VOLTAGE:
+30Vdc

USAGE CURRENT:
≤4.0A CONTINUOUS

RELATIVE HUMIDITY:
TO 95%


ENVIRONMENTAL:
MEETS IEC 60529 IP67
MEETS BELLCORE #TA-NWT-000487
PROCEDURE 4.11, WIND DRIVEN (120MPH)
RAIN INTRUSION TEST.

TEMPERATURE:
-50°C TO +85°C STORAGE/OPERATING



CUSTOMER APPROVAL: _____ DATE: _____

ALL DIMENSIONS SHOWN ABOVE ARE FOR REFERENCE ONLY.

DRAFTER R. SWART	DATE 01/20/06	 P.O. BOX 9000 MINDEN, NV 89423 TEL: 775-782-2511 FAX: 775-782-4476 DWG NO/PART NO/DESCRIPTION DAS-BT-DFDM-03 CUSTOMER PRINT	
MECH ENGINEER R. DUNNING	DATE 02/02/06		
ELEC ENGINEER C. PENWELL	DATE 01/24/06		
MARKETING W. OKEEFE	DATE 01/31/06		
QUALITY DEPT L. JACQUES	DATE 01/30/06		
CAGE CODE 61114	FILE NAME -C1	SCALE 1/1	SHEET 1 OF 1