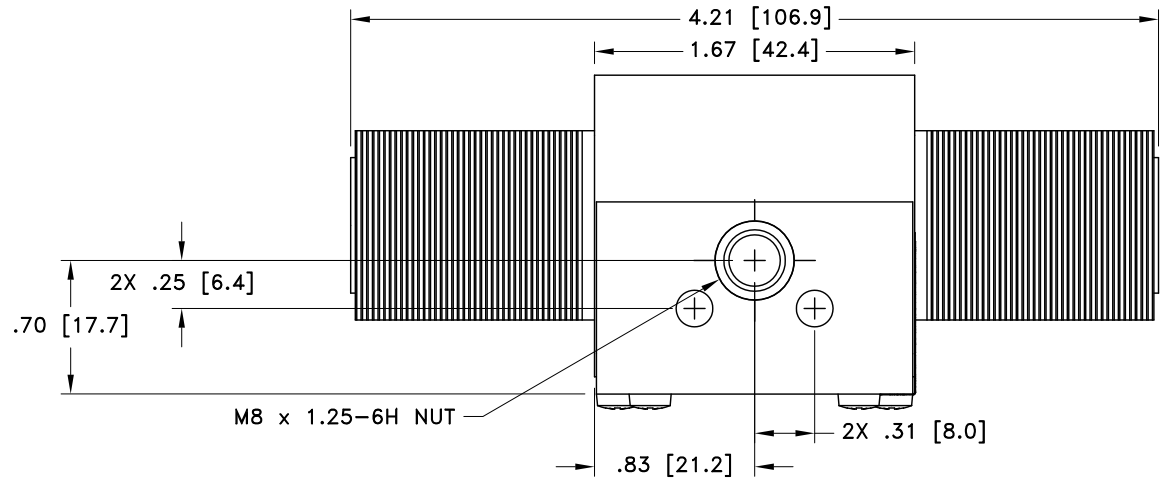


ALL DESIGN, OPERATIVE AND PROCESS DATA PERTAINING TO THE ARTICLE SHOWN ON THIS SHEET IS THE PROPERTY OF POLYPHASER CORPORATION. THE INFORMATION IS NOT TO BE COPIED, REPRODUCED, REVEALED TO OR APPROPRIATED BY OTHERS WITHOUT THE EXPRESS WRITTEN CONSENT OF POLYPHASER CORPORATION.

These commodities or technology are exported from the U.S. in accordance with the Export Administration Regulations. Diversion contrary to U.S. law prohibited.

| REVISIONS | | | | | |
|-----------|----------|-----|------|------|----|
| REV LTR | DATE | ENG | MKTG | Q.A. | |
| F | 05/17/07 | CM | KCB | CP | RM |



MAXIMUM CHARACTERISTICS

APPLICATION:
WEATHERIZED, FLANGE OR BULKHEAD MOUNT

FREQUENCY RANGE:
800MHz TO 2500MHz

VSWR:
≤1.1:1 OVER FREQUENCY RANGE

INSERTION LOSS:
≤0.1dB OVER FREQUENCY RANGE

POWER:
300Wrms AVERAGE

TURN ON:
+26.5Vdc

TURN ON TIME:
4ns FOR 2kV/ns

MAX. SURGE:
20kA IEC 61000-4-5 8/20μs WAVEFORM

THROUGHPUT ENERGY:
≤1mJ FOR 3kA, 8/20μs WAVEFORM

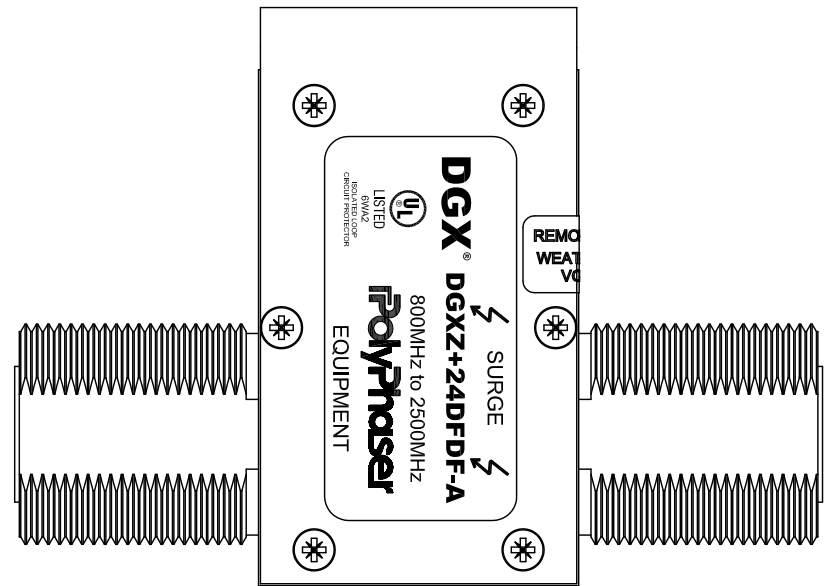
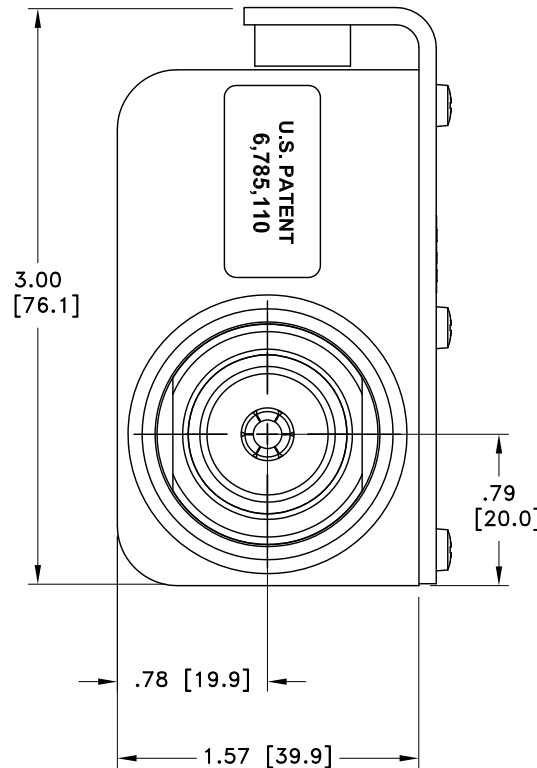
USER VOLTAGE:
+24Vdc MAX

USAGE CURRENT:
≤4.0A CONTINUOUS

RELATIVE HUMIDITY:
TO 95%

ENVIRONMENTAL:
MEETS IEC 60529 IP67
MEETS BELLCORE #TA-NWT-000487
PROCEDURE 4.11, WIND DRIVEN (120MPH)
RAIN INTRUSION TEST.

TEMPERATURE:
-50°C TO +85°C STORAGE/OPERATING



CUSTOMER APPROVAL: _____ DATE: _____

ALL DIMENSIONS SHOWN ABOVE ARE FOR REFERENCE ONLY.

| | |
|-----------------------------|------------------|
| DRAFTER S. HALL | DATE 06/25/02 |
| MECH ENGINEER R. DUNNING | DATE 07/02/02 |
| ELEC ENGINEER K. BARTEL | DATE 06/25/02 |
| MARKETING P. HEEREN | DATE 06/28/02 |
| QUALITY DEPT R. MATHEUS | DATE 06/26/02 |

| | | | |
|--|------------------|--------------|-----------------|
| PolyPhaser | | | |
| <small>P.O. BOX 9000 MINDEN, NV 89423 TEL: 775-782-2511 FAX: 775-782-4476 DWG NO/PART NO/DESCRIPTION</small> | | | |
| DGXZ+24DFDF-A | | | |
| CUSTOMER PRINT | | | |
| CAGE CODE 61114 | FILE NAME -C1 | SCALE 1/1 | SHEET 1 OF 1 |