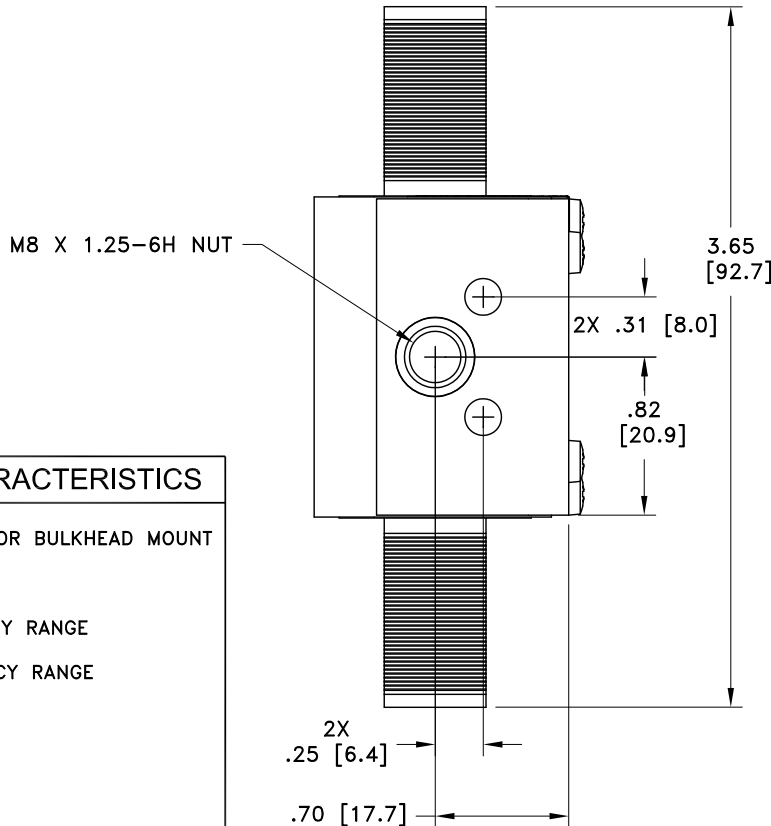


ALL DESIGN, OPERATIVE AND PROCESS DATA PERTAINING TO THE ARTICLE SHOWN ON THIS SHEET IS THE PROPERTY OF POLYPHASER CORPORATION. THE INFORMATION IS NOT TO BE COPIED, REPRODUCED, REVEALED TO OR APPROPRIATED BY OTHERS WITHOUT THE EXPRESS WRITTEN CONSENT OF POLYPHASER CORPORATION.

REVISIONS

REV LTR	DATE	ENG	MKTG	Q.A.
E	05/17/07 <small>CM</small>	KB	CP	RM



MAXIMUM CHARACTERISTICS

APPLICATION:  
WEATHERIZED, FLANGE OR BULKHEAD MOUNT

FREQUENCY RANGE:  
800MHz TO 2500MHz

VSWR:  
≤1.1:1 OVER FREQUENCY RANGE

INSERTION LOSS:  
≤0.1dB OVER FREQUENCY RANGE

POWER:  
300Wrms AVERAGE

TURN ON:  
+54Vdc

TURN ON TIME:  
4ns FOR 2kV/ns

MAX. SURGE:  
20kA IEC 61000-4-5 8/20μs WAVEFORM

THROUGHPUT ENERGY:  
≤2.5mJ FOR 3kA, 8/20μs WAVEFORM

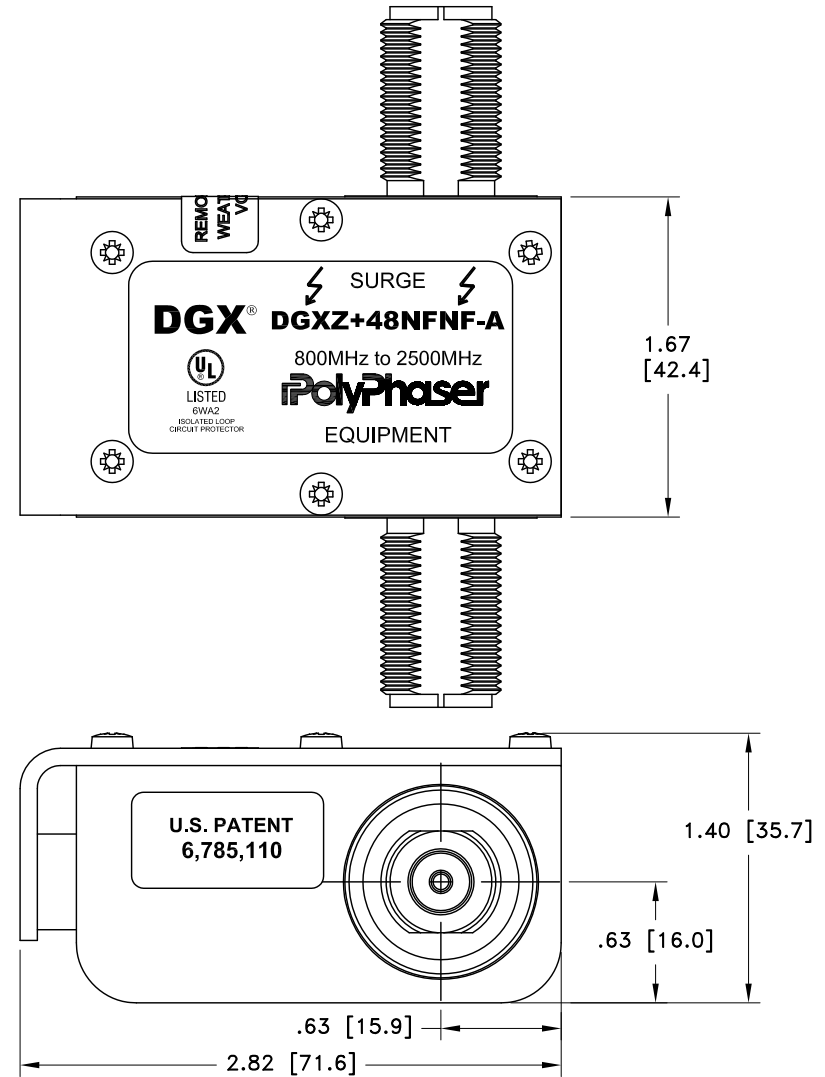
USER VOLTAGE:  
+48Vdc MAX

USAGE CURRENT:  
≤4.0A CONTINUOUS

RELATIVE HUMIDITY:  
TO 95%

ENVIRONMENTAL:  
MEETS IEC 60529 IP67  
MEETS BELLCORE #TA-NWT-000487  
PROCEDURE 4.11, WIND DRIVEN (120MPH)  
RAIN INTRUSION TEST.

TEMPERATURE:  
-50°C TO +85°C STORAGE/OPERATING



CUSTOMER APPROVAL: \_\_\_\_\_ DATE: \_\_\_\_\_

ALL DIMENSIONS SHOWN ABOVE ARE FOR REFERENCE ONLY.

*These commodities or technology are exported from the U.S. in accordance with the Export Administration Regulations. Diversion contrary to U.S. law prohibited.*

DRAFTER R. SWART	DATE 10/06/03	<p>P.O. BOX 9000 MINDEN, NV 89423 TEL: 775-782-2511 FAX: 775-782-4476</p> <p>DWG NO/PART NO/DESCRIPTION</p> <p><b>DGXZ+48NFnF-A</b></p> <p>CUSTOMER PRINT</p>	
MECH ENGINEER R. DUNNING	DATE 10/07/03		
ELEC ENGINEER K. BARTEL	DATE 10/06/03		
MARKETING S. DOTTER	DATE 10/06/03		
QUALITY DEPT L. JACQUES	DATE 10/06/03		
CAGE CODE 61114	FILE NAME -C1	SCALE 1/1	SHEET 1 OF 1