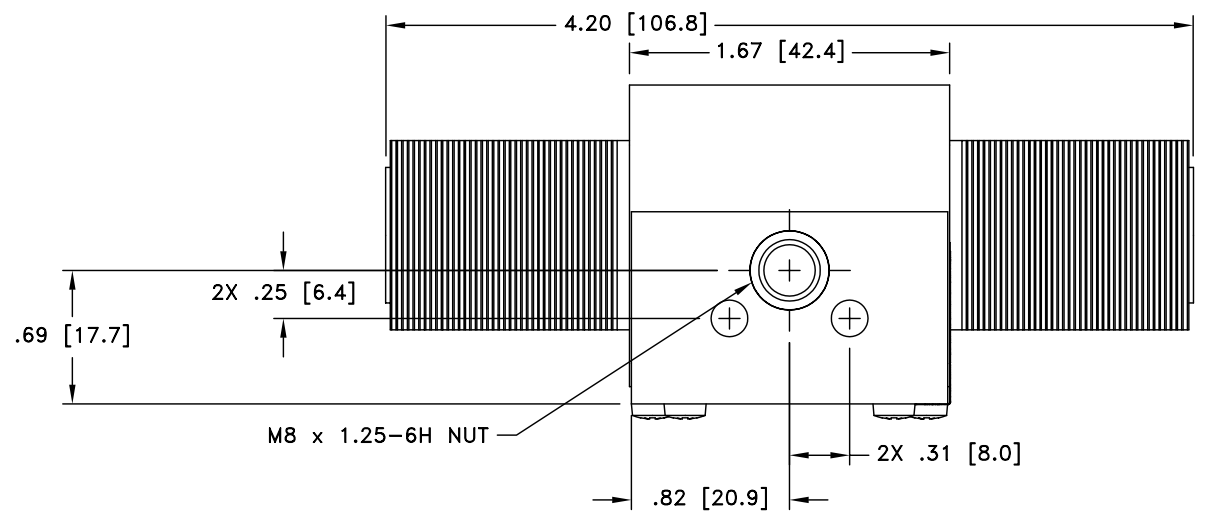


ALL DESIGN, OPERATIVE AND PROCESS DATA PERTAINING TO THE ARTICLE SHOWN ON THIS SHEET IS THE PROPERTY OF POLYPHASER CORPORATION. THE INFORMATION IS NOT TO BE COPIED, REPRODUCED, REVEALED TO OR APPROPRIATED BY OTHERS WITHOUT THE EXPRESS WRITTEN CONSENT OF POLYPHASER CORPORATION.

REVISIONS				
REV LTR	DATE	ENG	MKTG	Q.A.
E	21/07/04 SH	KCB	SD	LJ



### MAXIMUM CHARACTERISTICS

APPLICATION:  
WEATHERIZED, FLANGE OR BULKHEAD MOUNT

FREQUENCY RANGE:  
800MHz TO 2500MHz

VSWR:  
≤1.1:1 OVER FREQUENCY RANGE

INSERTION LOSS:  
≤0.1dB OVER FREQUENCY RANGE

POWER:  
40W RMS AVERAGE

TURN ON:  
-54Vdc

TURN ON TIME:  
4ns FOR 2kV/ns

MAX. SURGE:  
20kA IEC 61000-4-5 8/20μs WAVEFORM

THROUGHPUT ENERGY:  
≤2.5mJ FOR 3kA, 8/20μs WAVEFORM

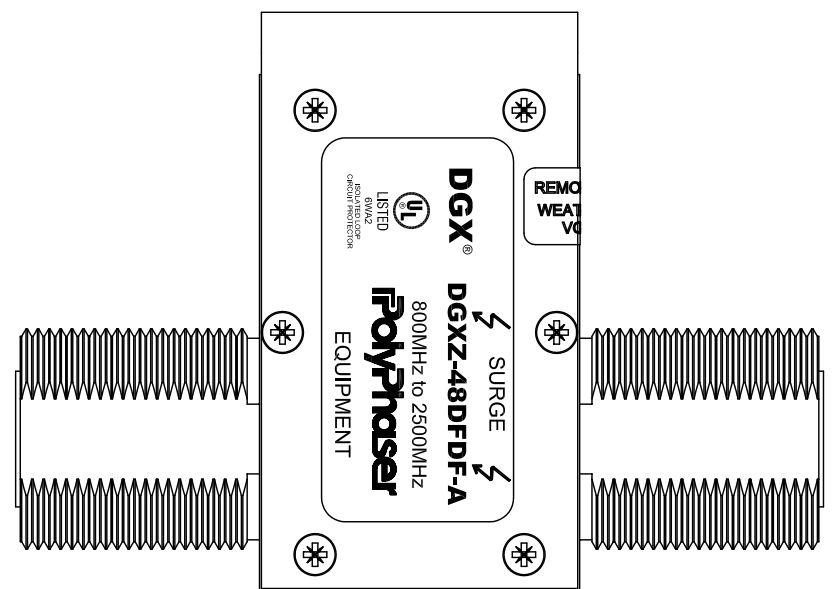
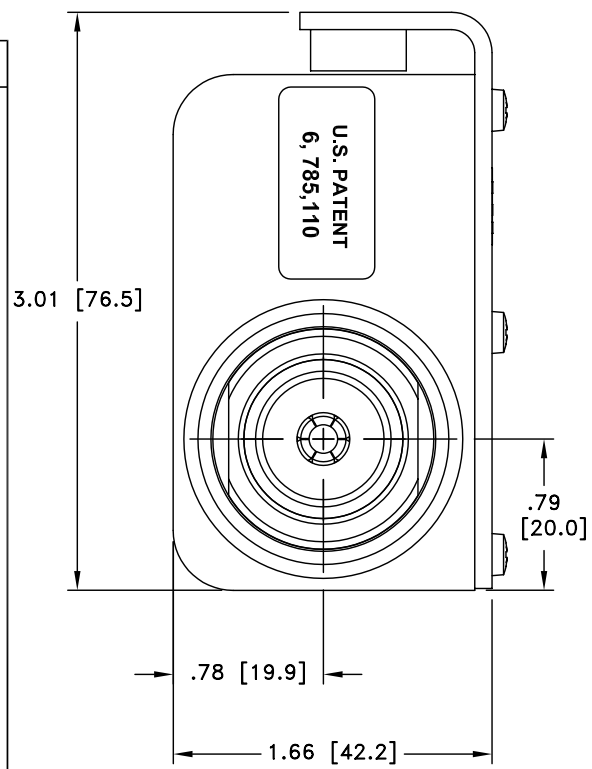
USER VOLTAGE:  
-48Vdc MAX

USAGE CURRENT:  
≤4.0A CONTINUOUS

RELATIVE HUMIDITY:  
TO 95%


ENVIRONMENTAL:  
MEETS IEC 60529 IP67  
MEETS BELLCORE #TA-NWT-000487  
PROCEDURE 4.11, WIND DRIVEN (120MPH)  
RAIN INTRUSION TEST.

TEMPERATURE:  
-50°C TO +85°C STORAGE/OPERATING



CUSTOMER APPROVAL: \_\_\_\_\_ DATE: \_\_\_\_\_

ALL DIMENSIONS SHOWN ABOVE ARE FOR REFERENCE ONLY.

DRAFTER S. HALL	DATE 01/21/03	 P.O. BOX 9000 MINDEN, NV 89423 TEL: 775-782-2511 FAX: 775-782-4476 DWG NO/PART NO/DESCRIPTION DGXZ-48DFDF-A CUSTOMER PRINT	
MECH ENGINEER R. DUNNING	DATE 01/29/03		
ELEC ENGINEER K. BARTEL	DATE 01/24/03		
MARKETING S. DOTTER	DATE 01/27/03		
QUALITY DEPT L. JACQUES	DATE 01/28/03		
CAGE CODE 61114	FILE NAME -C1	SCALE 1/1	SHEET 1 OF 1