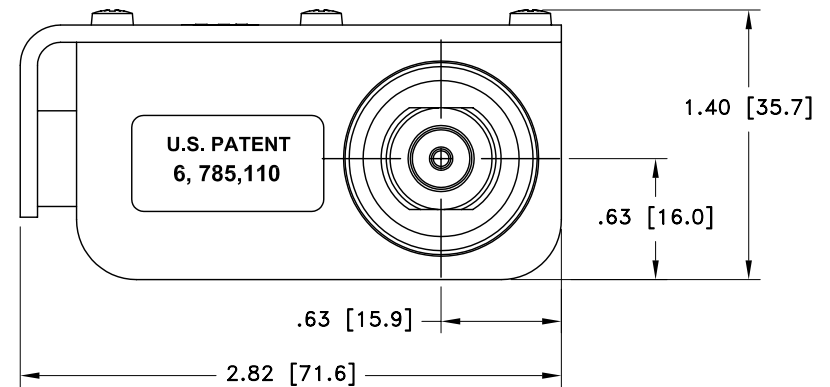
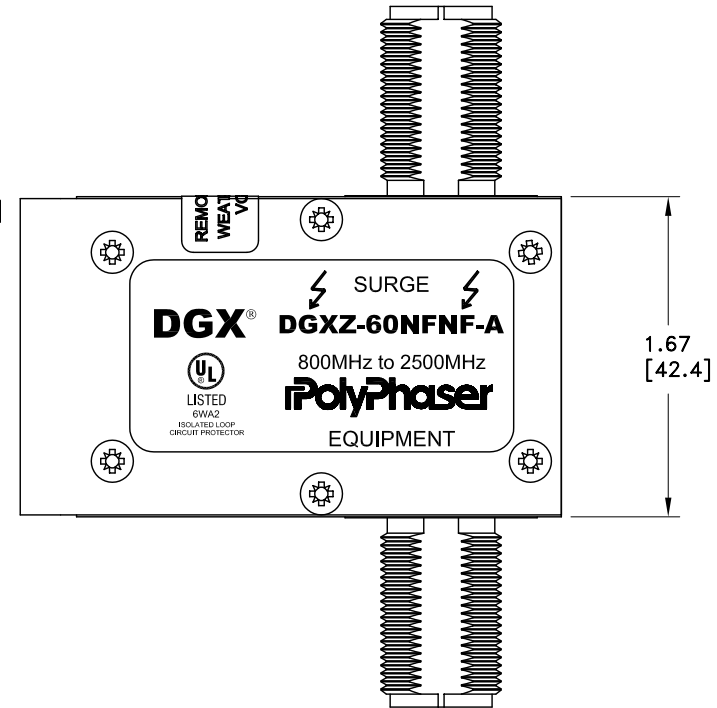
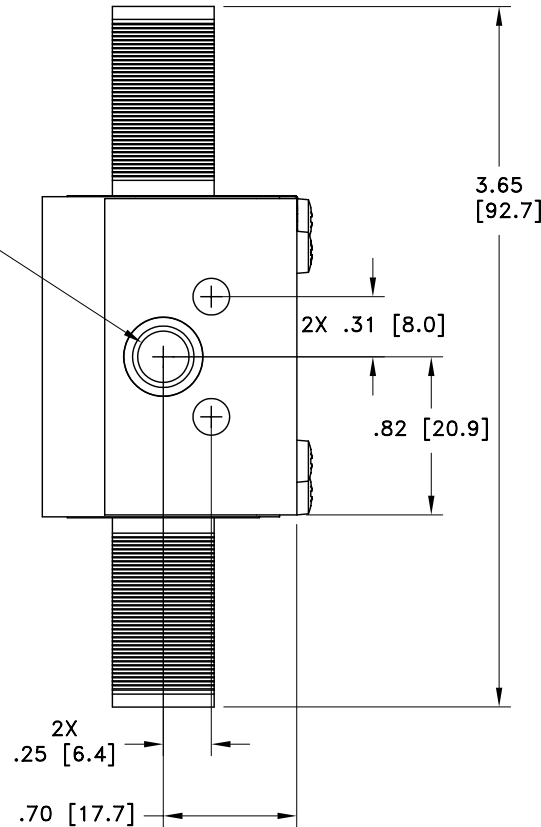


ALL DESIGN, OPERATIVE AND PROCESS DATA PERTAINING TO THE ARTICLE SHOWN ON THIS SHEET IS THE PROPERTY OF POLYPHASER CORPORATION. THE INFORMATION IS NOT TO BE COPIED, REPRODUCED, REVEALED TO OR APPROPRIATED BY OTHERS WITHOUT THE EXPRESS WRITTEN CONSENT OF POLYPHASER CORPORATION.

REVISIONS

| REV | LTR | DATE | ENG | MKTG | Q.A. |
|-----|-----|------|-----|------|------|
|     |     |      |     |      |      |

M8 X 1.25-6H NUT



MAXIMUM CHARACTERISTICS

APPLICATION:  
WEATHERIZED, FLANGE OR BULKHEAD MOUNT

FREQUENCY RANGE:  
800MHz TO 2500MHz

VSWR:  
≤1.1:1 OVER FREQUENCY RANGE

INSERTION LOSS:  
≤0.1dB OVER FREQUENCY RANGE

POWER:  
40W RMS AVERAGE

TURN ON:  
-66.5Vdc

TURN ON TIME:  
4ns FOR 2kV/ns

MAX. SURGE:  
20kA IEC 61000-4-5 8/20μs WAVEFORM

THROUGHPUT ENERGY:  
≤2.5mJ FOR 3kA, 8/20μs WAVEFORM

USER VOLTAGE:  
-60Vdc MAX

USAGE CURRENT:  
≤4.0A CONTINUOUS


RELATIVE HUMIDITY:  
TO 95%

ENVIRONMENTAL:  
MEETS IEC 60529 IP67  
MEETS BELLCORE #TA-NWT-000487  
PROCEDURE 4.11, WIND DRIVEN (120MPH)  
RAIN INTRUSION TEST.

TEMPERATURE:  
-50°C TO +85°C STORAGE/OPERATING

CUSTOMER APPROVAL: \_\_\_\_\_ DATE: \_\_\_\_\_

ALL DIMENSIONS SHOWN ABOVE ARE FOR REFERENCE ONLY.

|                            |                  |   |                 |
|----------------------------|------------------|---|-----------------|
| DRAFTER<br>S. HALL         | DATE<br>09/26/05 | <br>P.O. BOX 9000 MINDEN, NV 89423 TEL: 775-782-2511 FAX: 775-782-4476<br>DWG NO/PART NO/DESCRIPTION<br><b>DGXZ-60NFnF-A</b><br>CUSTOMER PRINT |                 |
| MECH ENGINEER<br>R. SWART  | DATE<br>09/27/05 |   |                 |
| ELEC ENGINEER<br>K. BARTEL | DATE<br>09/26/05 |   |                 |
| MARKETING<br>S. DOTTER     | DATE<br>09/27/05 |   |                 |
| QUALITY DEPT<br>L. JACQUES | DATE<br>09/27/05 |   |                 |
| CAGE CODE<br>61114         | FILE NAME<br>-C1 | SCALE<br>1/1  | SHEET<br>1 OF 1 |