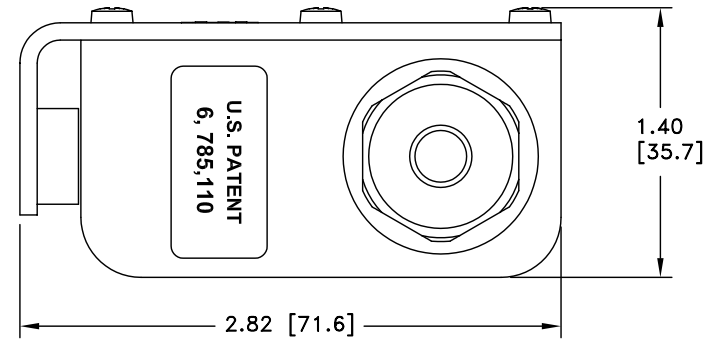
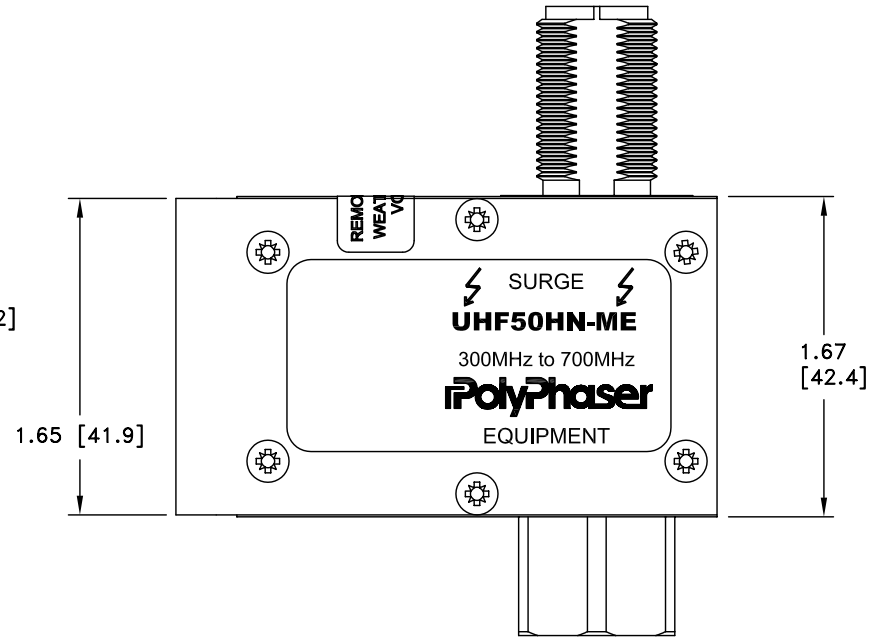
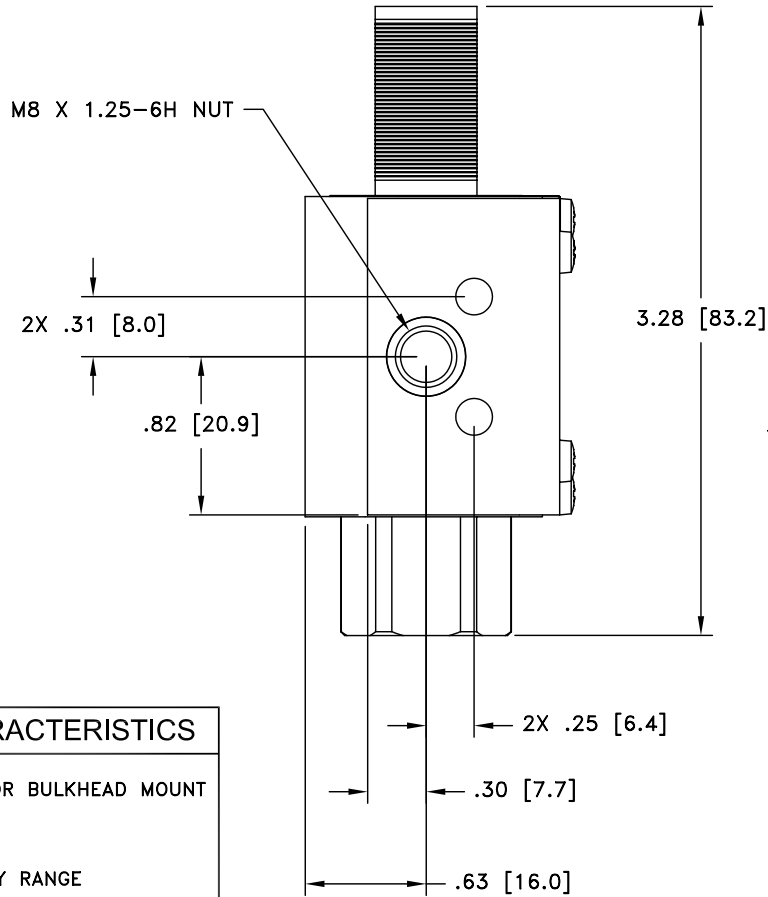


ALL DESIGN, OPERATIVE AND PROCESS DATA PERTAINING TO THE ARTICLE SHOWN ON THIS SHEET IS THE PROPERTY OF POLYPHASER CORPORATION. THE INFORMATION IS NOT TO BE COPIED, REPRODUCED, REVEALED TO OR APPROPRIATED BY OTHERS WITHOUT THE EXPRESS WRITTEN CONSENT OF POLYPHASER CORPORATION.

REVISIONS				
REV LTR	DATE	ENG	MKTG	Q.A.
C	12/07/04 SH	KCB	SD	LJ




CUSTOMER APPROVAL: _____ DATE: _____

ALL DIMENSIONS SHOWN ABOVE ARE FOR REFERENCE ONLY.

MAXIMUM CHARACTERISTICS

APPLICATION:
WEATHERIZED, FLANGE OR BULKHEAD MOUNT
FREQUENCY RANGE:
300MHz TO 700MHz
VSWR:
≤1.1:1 OVER FREQUENCY RANGE
INSERTION LOSS:
≤0.1dB OVER FREQUENCY RANGE
POWER:
750W RMS AVERAGE
MAX. SURGE:
20kA IEC 61000-4-5 8/20μs WAVEFORM
THROUGHPUT ENERGY:
<500nJ FOR 3kA, 8/20μs WAVEFORM
RELATIVE HUMIDITY:
TO 95%
ENVIRONMENTAL:
MEETS IEC 60529 IP67
MEETS BELLCORE #TA-NWT-000487
PROCEDURE 4.11, WIND DRIVEN (120MPH)
RAIN INTRUSION TEST.
TEMPERATURE:
-50°C TO +85°C STORAGE/OPERATING

DRAFTER S. HALL	DATE 06/06/03	 P.O. BOX 9000 MINDEN, NV 89423 TEL: 775-782-2511 FAX: 775-782-4476 DWG NO/PART NO/DESCRIPTION UHF50HN-ME CUSTOMER PRINT		
MECH ENGINEER R. DUNNING	DATE 06/27/03			
ELEC ENGINEER N. TOPCU	DATE 06/26/03			
MARKETING S. DOTTER	DATE 06/27/03			
QUALITY DEPT L. JACQUES	DATE 06/26/03			
CAGE CODE 61114	FILE NAME -C1	SCALE 1/1	SHEET 1 OF 1	